

GENERAL ELECTRIC

Electronic

RADIO SERVICE BULLETIN

RSM-3, NO. 18.

MAY 1948.

SUBJECT: ADDITION OF BALANCED INPUT TRANSFORMER
TO MODELS 901 & 910 TELEVISION RECEIVERS

The input transformer, Stock No. RLA-033 is made available for addition to the Models 901 and 910 television receiver to provide a balanced input to ground for the transmission line. This eliminates direct pickup on the transmission line, of noise pulses and also video i-f harmonics radiated from the receiver.

MATERIAL REQUIRED:

Description	Stock No.	Fig. 1 Reference
1 - Antenna Input Transformer	RLA-033	1
1 - Series Choke	RLI-037	2
1 - Mounting Plate	RAP-008	3
4 - #4-40 x 5/16" Screws, Nuts, & Lockwashers	4

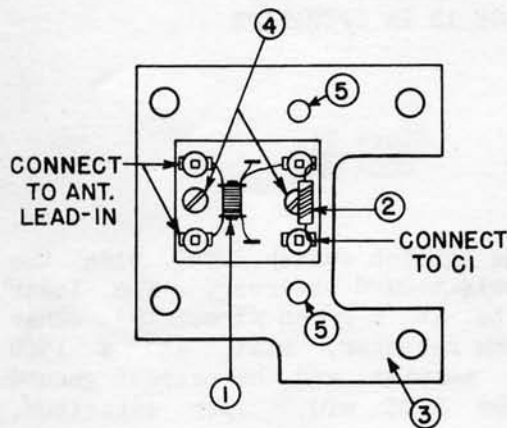


FIGURE 1

PROCEDURE: (See Figures for Reference)

1. Unsolder C1, 300-ohm transmission line and green lead from terminal board on top-rear of r-f head-end unit.

2. Remove two screws holding terminal board. Save two brass grounding straps, discard terminal board along with L2 and C2.

3. Remove green wire and 1.0 megohm resistor C175 from BC and SW external antenna terminal board, and discard parts. The green lead is end of lead removed in step (1).

4. Remove two screws holding the terminal board mounting plate to the r-f head-end unit. Remove the screw and two spacers which support this plate to main chassis. Discard mounting plate.

- Continued on Following Page -

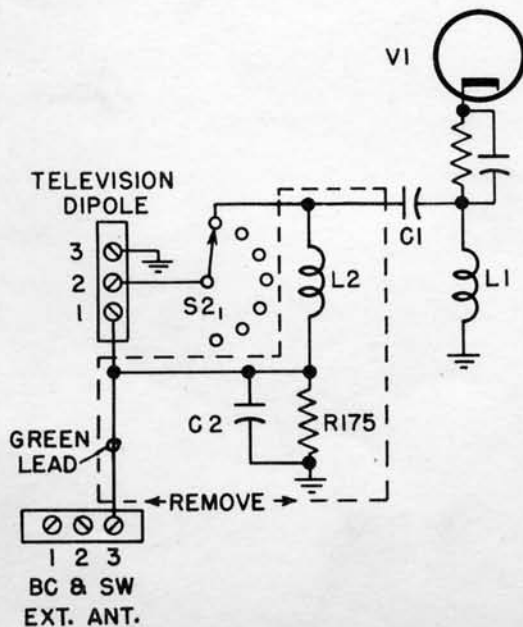


FIGURE 2

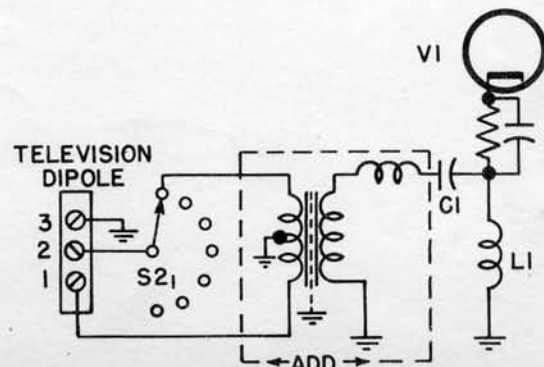


FIGURE 3

5. Assemble transformer (1) Stock No. RLA-033 to mounting plate (3), Stock No. RAP-008, using two #4-40 x 5/16" screws, nuts, and lockwashers. Solder choke (2), Stock No. RLI-037, as shown in schematic, Figure 3, and mechanically mount as shown in Figure 1. Also, fasten the two brass ground straps, removed in step (2), to the holes (5) shown in Figure 1, using two #4-40 x 5/16" screws, nuts, and lockwashers.

6. Re-assemble mounting plate and transformer assembly to the head-end unit, using the same self-tapping screws removed from original mounting plate.

7. Solder C1 to choke as shown in Figures 1 and 3.

8. Re-connect antenna input transmission line to terminals as shown in Figure 1.

9. The label on the cabinet back under the hole through which connections are made to the terminal board for "external antenna for broadcast and short wave" must be changed. The change consists of blocking out with black ink, the link connection shown for dipole antenna. Provision is still provided for using an external antenna on BC and SW, but it must be independent of the television dipole and transmission line.

SUBJECT: PREVENTION OF LOW FREQUENCY RUMBLE ON FM
BAND OF MODELS 901 & 910 WHEN SQUELCH IS IN OPERATION

MATERIAL REQUIRED:

	Description	Stock No.
1 -	0.25 mfd., 400 v., paper capacitor	UCC-442

PROCEDURE:

Remove the receiver chassis from cabinet. View the squelch switch, S4, with the receiver chassis upside down and with operating controls toward observer. The lower right-hand terminal on squelch switch has connected to it a green wire, the other end of which connects to the junction of a 1.0 megohm resistor, R111, and a 1500 mmf. ceramic capacitor, C105. Between this switch terminal and the nearest ground tab on an adjacent electrolytic capacitor, solder the 0.25 mfd. paper capacitor, Stock No. UCC-442.